

- * **SELECTABLE RANGE °C or °F**
- * **0.1% ACCURACY**
- * **LOW VOLTAGE DROP**
- * **NEMA 4X ENCLOSURE**
- * **RATED CLASS 3-C IMMUNITY**
- * **VARIETY OF MOUNTING OPTIONS AVAILABLE**



GENERAL DESCRIPTION

The Model RTI Resistance Temperature Indicator combines an RTD resistance temperature transmitter and a loop powered indicator to provide signal transmission and local indication of temperature without the need for an external power source.

Housed in a compact 2.6" x 3.1" x 4.3" NEMA 4X waterproof enclosure, the instrument may virtually be placed at any point along a 4 to 20 mA loop and provide temperature indication. Loop powered means that the unit obtains its operating voltage directly from the 4 to 20 mA signal. Any voltage from 9.5 to 35 VDC may be applied. The RTI may be calibrated to read any temperature range in °C or °F with inputs from 0-150°F to 0-1000°F. Range changes are accomplished via DIP style switches and non-interacting span and offset potentiometers.

The Model RTI Resistance Temperature Indicator is comprised of a Devar Model SM812 RTD/Resistance, 2-Wire Temperature Transmitter and a Devar Model 18-SLPI Loop powered Indicator.

The SM812 Transmitter is mounted on the base (Plug-in receptacle) board of the 18-SLPI. Sensor Wiring is accomplished at the SM812 terminal block while the power is wired to the assembly, which consists of two indicator boards from the baseboard. The NEMA 4 integrity of the 18-SLPI enclosure is maintained by utilizing two 1/2" FNPT watertight conduit connection hubs (Option -M42) for sensor and power/signal wiring. The minimum supply voltage required by the Resistance Temperature Indicator is 9.5 Volts DC.

SPECIFICATIONS MODEL RTI

INPUT:

Platinum 100 Ohms, Alpha = 0.00385

Range: RTI-1 span 0/150° to 0/50°
 RTI-2 span 0/350° to 0/1000°
 zero adjust ±40°F

OUTPUT:

Range: 4 to 20 mA
 Limit: 2.5 to 28 mA
 Max. Load: (V_{SUPPLY} - 9.5/0.02)
 Load Effect: ±0.05% per 300 Ohms

ACCURACY:

0.1% span relating to temperature

RFI IMMUNITY:

Rated Class 3-C

OPEN RTD:

Indication Upscale

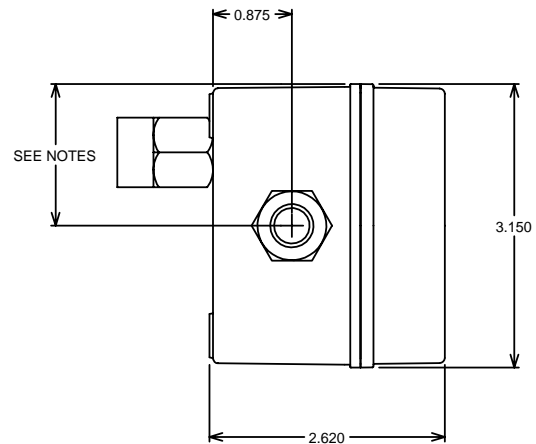
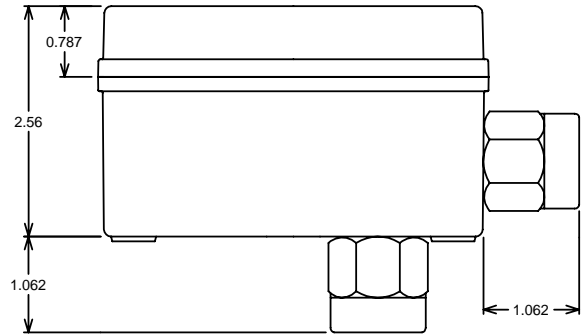
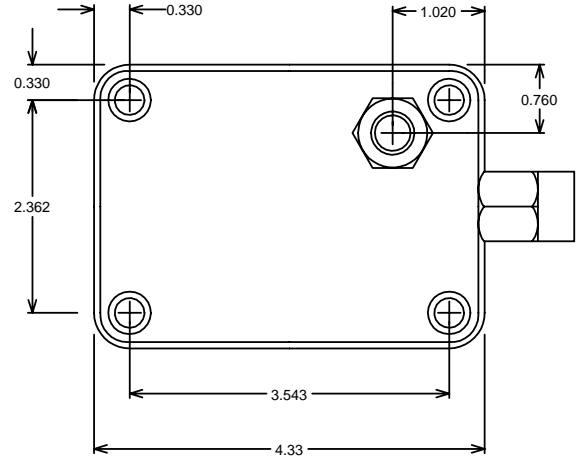
ORDERING INFORMATION:

Specify Model: RTI-1 up to 0/500°F span
 RTI-2 up to 0/1000°F span

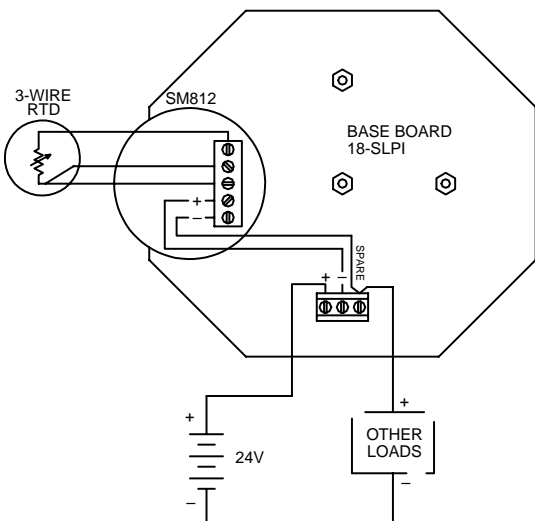
OPTIONS:

- M36 Pipe Mounting Kit
- M31D DIN Rail Mounting Bracket
- M31S SnapTrack Bracket
- M42 Sealed Conduit Hub
- M46 Panel Mount (NEMA 4)

WARRANTY: 2 years



General Dimensions



Field Wiring