

- \* READ DIRECTLY IN °F, °C, RPM, pH, GPM, OR OTHER ENGINEERING UNITS
- \* 4-1/2 DIGIT DISPLAY READS UP TO  $\pm 19,999$
- \* EASY FIELD ADJUSTABLE CALIBRATION
- \* FIELD SELECTABLE DECIMAL POINT
- \* WIDE TEMPERATURE OPTION AVAILABLE



### GENERAL DESCRIPTION

Model 18-LPIX-4 provides a full 4-1/2 digit LCD readout of 4 to 20 mA process signals directly in engineering units. The instrument is powered by the loop which means that at any point along a process signal loop you may connect the unit and display the signal directly in °F, °C, GPM, pH, etc. The indicator will display any range between  $\pm 19,999$  counts (example 0 to 15,000 RPM). Calibration is simply accomplished by adjusting the range selection DIP switches and non-interacting span and zero potentiometers.

Display action may be direct or reverse and 4 decimal point positions are field selectable. Resolution is better than one count. The 18-LPIX-4 comes in a rugged indoor/outdoor water tight, explosion proof housing, which will withstand direct water spray under hose pressure. It is classified for Division 1 installations, Class I, Groups B, C & D, Class II, Groups E, F & G, Class III & NEMA-4.

# SPECIFICATIONS

## INPUT

4 to 20 mA  
 Voltage Drop: 3.3 VDC @ 20 mA, 25°C  
 Max. Input Current: 60 mA Forward or Reverse

## DISPLAY

Type: 7 Segments, 4.5 Digit LCD  
 Character Height: 0.4 in  
 Characters: -1.8.8.8.8  
 Decimal Points: 4 Position or Absent  
 Plug in Jumper Selectable  
 Polarity Indication: Negative Sign  
 Overrange: Blanks Least 4 Significant Digits

## OPERATION

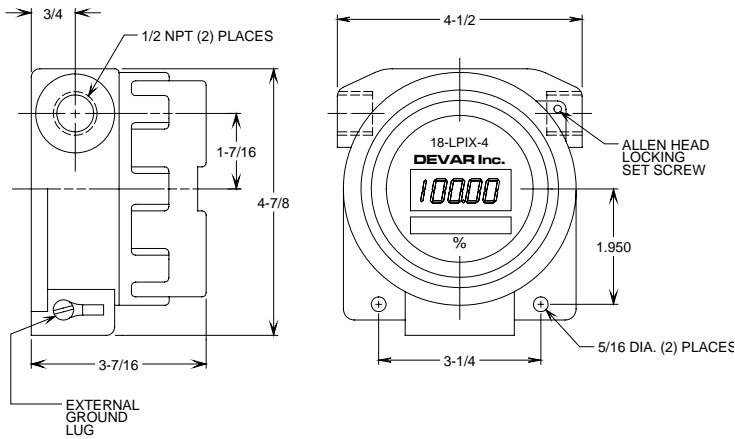
Span Range: 0 to 39,998 counts,  
 16 ranges, switch selectable  
 Zero Range: -19,999 to +19,999 counts  
 16 ranges, switch selectable  
 Action: Direct (count increases as input increases)  
 Reverse (count decreases as input increases)  
 Plug-in jumper selectable  
 Sample Rate: 2.4 per second

## PERFORMANCE

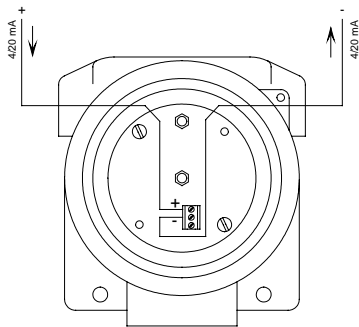
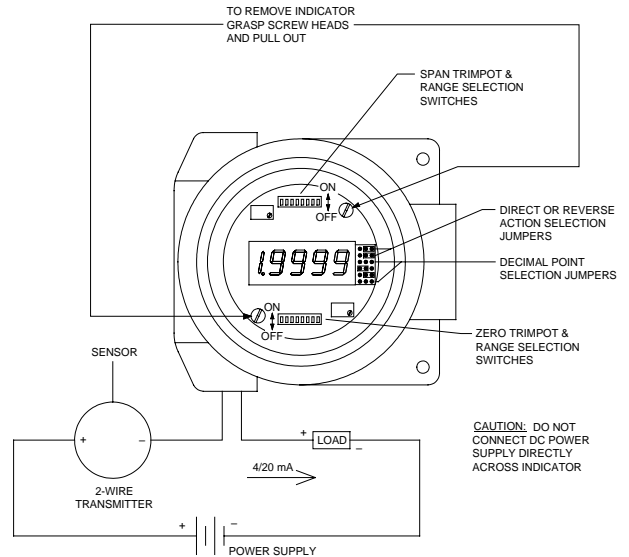
Resolution: 16,000 micro-Amps/Span counts  
 Max. 0.4 micro-Amp  
 Accuracy (25°C): Reading ± 3 counts  
 Zero Tempco: ± (0.0003% Span + 0.4 counts) Typ.  
 (per °C) ± (0.0016% Span + 1.2 counts) Max.  
 Span Tempco: ± 0.001% Span Typ.  
 (per °C) ± 0.009% Span Max.  
 Operation Temp: -20° to +70°C  
 Storage Temp: -40° to 85°C  
 Ripple Rejection: Reading change < 0.01% of span  
 for 1 mA, 60 Hz, ripple input

## ENCLOSURE

Material: Sand Cast Copper-Free Aluminum  
 Access: Two 1/2 in. NPT Ports  
 Classification: Explosion-Proof, NEMA-4X  
 Class I, Div. I, Groups B, C, D  
 Class II, Groups E, F, G  
 Weight: 2.8 lbs  
 Options:  
 -M36 2 in. Pipe Mounting Bracket  
 -BL Backlight Option (Voltage Drop of 5.3V)



GENERAL DIMENSIONS



FIELD WIRING

# DEVAR Inc.

706 BOSTWICK AVE.  
 BRIDGEPORT, CT 06605-2396  
 TEL: 203-368-6751 FAX: 203-368-3747  
 TOLL FREE: (800) 566-6822  
 www.devarinc.com