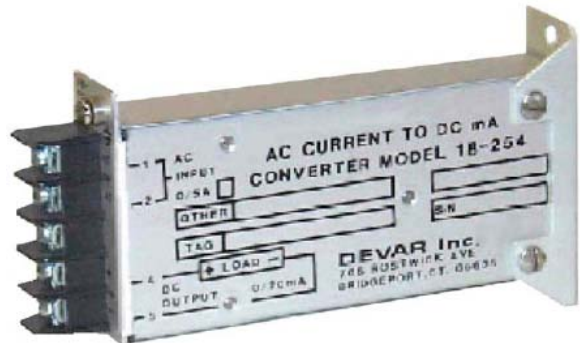


- \* COMPACT SIZE
- \* CONVERTS 0/5 AMPS TO 0/20 mADC
- \* NEMA-1 HOUSING
- \*  $\pm 0.5\%$  ACCURACY
- \* DIN RAIL OR SNAPTRACK AVAILABLE



### GENERAL DESCRIPTION

The 18-254 Two-Wire AC Current to mADC Transmitter is used to provide a 0 to 20 mADC signal for measurement or control, proportional to a 0 to 5 ampere alternating current. Electrical connections to the converter are made by connecting the input terminals in series with the AC line for current sensing. The output terminals are connected in series with the output control loop.

The 18-254 features compact size by integrating the electronics and current sensing transformer into one package.

Measurement of AC current is accomplished by a highly sensitive current transformer, whose primary windings are connected in series with the AC line. The signal is then rectified and filtered to provide a DC milliamp output current. The output current is internally limited to approximately 24 mADC.

Overall calibrated accuracy is  $\pm 0.5\%$  and the 0 to 20 mA output signal may feed up to a 500 Ohm load.

A bracket is supplied to allow compact surface or SnapTrack mounting. DIN rail mounting is also available. The 18-254 may also be rack mounted in 8, 17, or 34 channel racks.

## SPECIFICATIONS

### GENERAL

Calibrated Accuracy:  $\pm 0.5\%$   
Environmental Temperature Influence:  
1. Recommended Temperature Limits:  $-10$  to  $60\text{ }^{\circ}\text{C}$   
2. Output Error:  $\pm 0.02\%/^{\circ}\text{F}$

### INPUT

Range: 0/5 AC RMS, Type 18-254-5A  
Maximum Voltage: 600 VAC  
Power Consumption: 0.6 Volt-Amperes

### OUTPUT

Current Range: 0 to 20 mADC  
Load: 0 to 500 Ohms  
Limited: Current limited to  $\approx 20\text{ mA}$

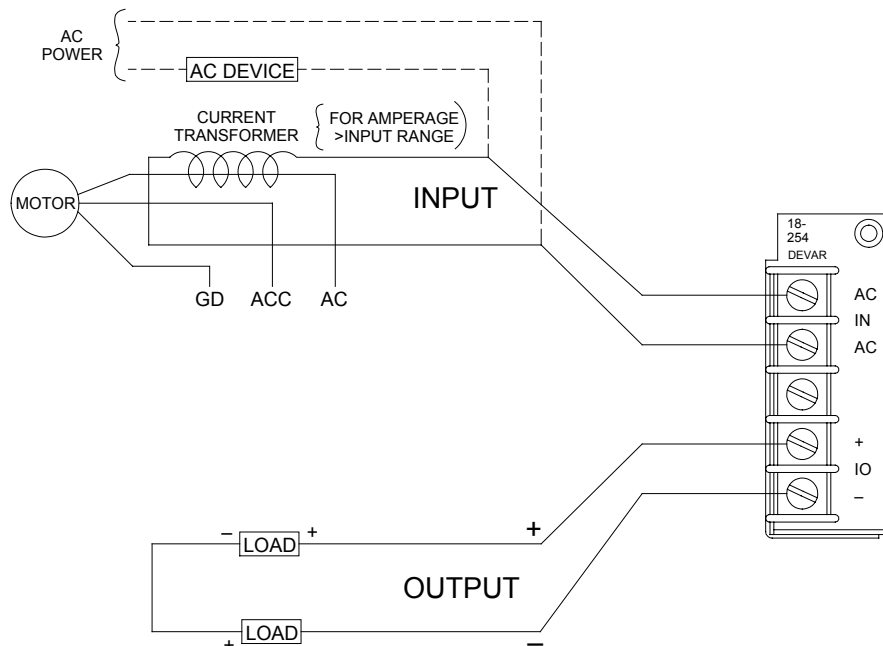
### HOUSING

NEMA-1 1"  $\times$  2-15/32"  $\times$  5-1/16" Stainless Steel or Titanium Construction

### MOUNTING

SnapTrack or individual surface mount -M31 (Included)  
DIN Rail Mount: -M31D  
Rack Mount Units: -R  
Racks: 18-008, 18-017, 18-034 (Channel Racks)

## FIELD WIRING OF 18-254



## **DEVAR Inc.**

706 BOSTWICK AVE.  
BRIDGEPORT, CT 06605-2396  
TEL: 203-368-6751 FAX: 203-368-3747  
TOLL FREE: (800) 566-6822  
www.devarinc.com