

- **ENGINEERING UNIT READOUT**
- **4 ACTIVE DIGITS**
- **LOW 1.00 VDC DROP**
- **PUSH BUTTON CONFIGURATION**
- **OPTIONAL BACKLIGHT**



### General Description

The PB-LPI is a two-wire digital indicator that monitors a 4 to 20 mA process signal and provides local indication on a liquid crystal display. The meter features four active digits with half inch high, easy to read characters that can be displayed with or without backlight. The meter requires no external power supply as it derives its power directly from the 4 to 20 mA input signal, dropping only one volt across its input terminals when the backlight is not used and approximately five volts when the backlight is turned on.

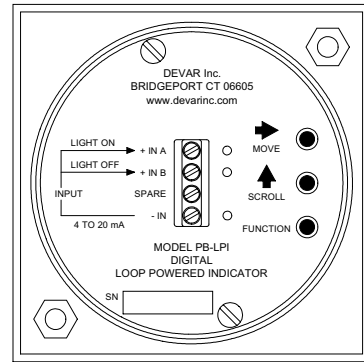
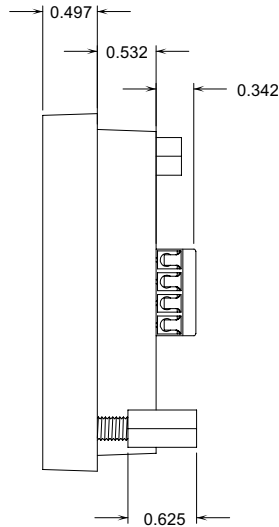
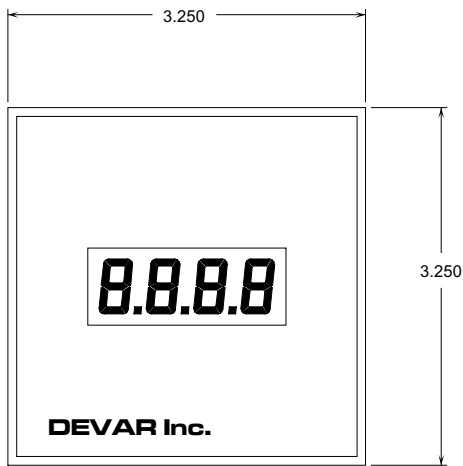
The PB-LPI provides a digital readout directly proportional to the milliamp input. The indicator is configured at the factory to display zero to one hundred percent for a 4 to 20 mA input signal, however it can be easily reconfigured in the field to read directly in engineering units (e.g. °F, GPM, feet of water ...). Configuration of the PB-LPI is accomplished using three buttons located at the rear of the display. The display can be forward or reverse acting and can be configured to display any

combination of numbers between -1999 and +9999.

The Housing is constructed of rugged polycarbonate with an acrylic window. Once properly installed in the panel, the exposed front side of the meter is NEMA 4X, suitable for indoor or out door use.

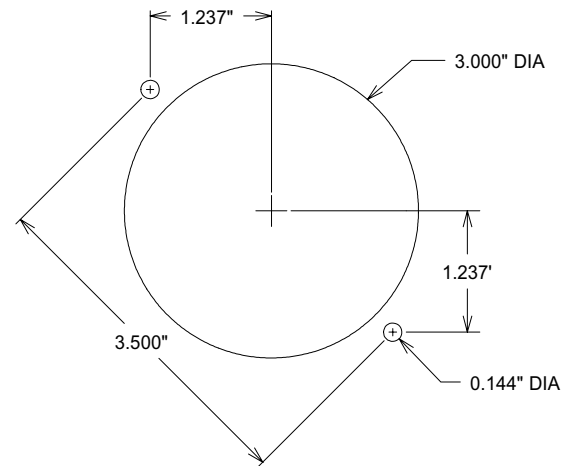
The meter is installed through a 3 inch diameter hole cut in the panel and locked in place using two 6-32 threaded studs and two 5/8 inch long hex nuts, which are located diagonally at the rear of the enclosure. Two 0.144" diameter holes must be drilled in the panel for the threaded studs.

A four position terminal block is provided at the rear of the meter for field wiring. To operate the meter with the backlight turned on, wire between the +IN A and the -IN terminals. To operate the meter with the backlight turned off, wire between the +IN B and the -IN terminals. A SPARE terminal is also provided as a tie point.

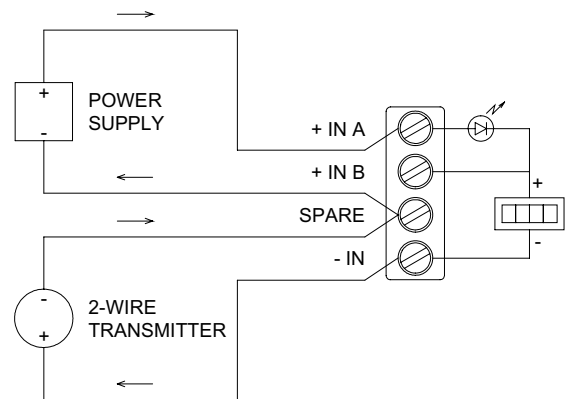


## Specifications

1. Input
  - a. Range .....4 to 20 mA
  - b. Voltage drop (light on) .....5.2 VDC
  - c. Voltage drop (light off) .....1 VDC
  - d. Maximum forward current .....60 mA
  - e. Maximum reverse current .....100 mA
2. Display
  - a. Type .....4 digit, LCD, 1/2" high digits
  - b. Backlight .....LED, hyper-orange, select by input wiring
3. Configuration
  - a. Display at 20 mA .....-1999 to 9999 counts
  - b. Display at 4 mA .....-1999 to 9999 counts
  - c. Zero offset range .....-1999 to 9999 counts
  - d. Decimal point .....User selectable
  - e. Configuration method .....Push button
4. Performance
  - a. Resolution .....16 bits
  - b. Calibration Accuracy .....± 0.05% of span
  - c. Temperature effect .....± 0.01% of span per °C, typ.
  - d. Temperature range .....-30 to +85°C
5. Enclosure
  - a. Material .....Polycarbonate body  
Acrylic window
  - b. Rating .....NEMA 4X (front face)



Panel Cutout  
Front View



### Typical Wiring

Showing a 2-wire transmitter powered by an external power supply with the backlight turned on

# DEVAR Inc.

706 Bostwick Ave, Bridgeport, CT 06605-2396

TEL: 203 368 6751 800 566 6822

FAX: 203 368 3747 e-mail (info@devarinc.com)

http://www.devarinc.com