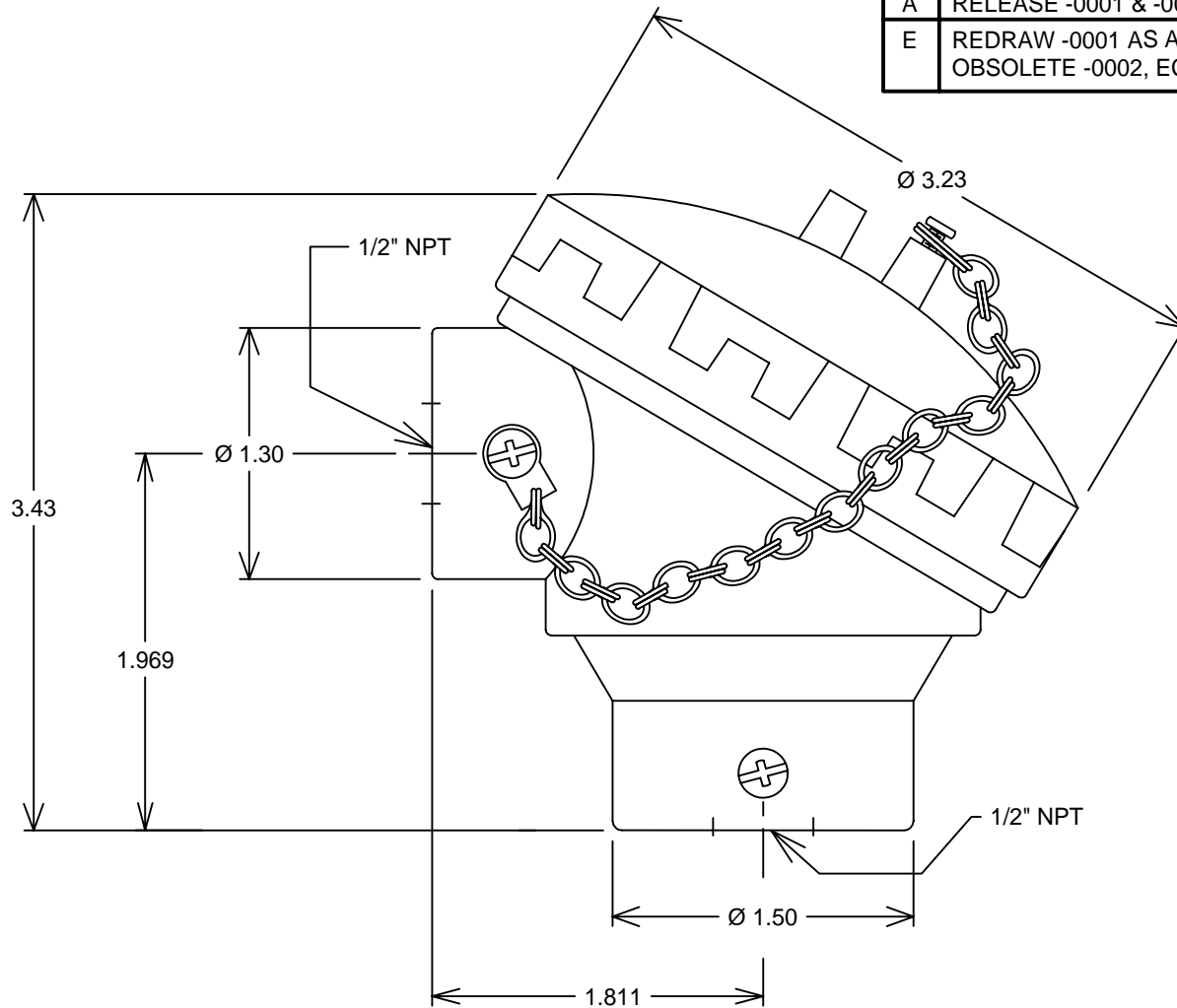


REV	DESCRIPTION	DATE	APPROVED
A	RELEASE -0001 & -0002, ECN 2876	3-18-88	AG
E	REDRAW -0001 AS A SEPERATE DRAWING, OBSOLETE -0002, ECN 3376		

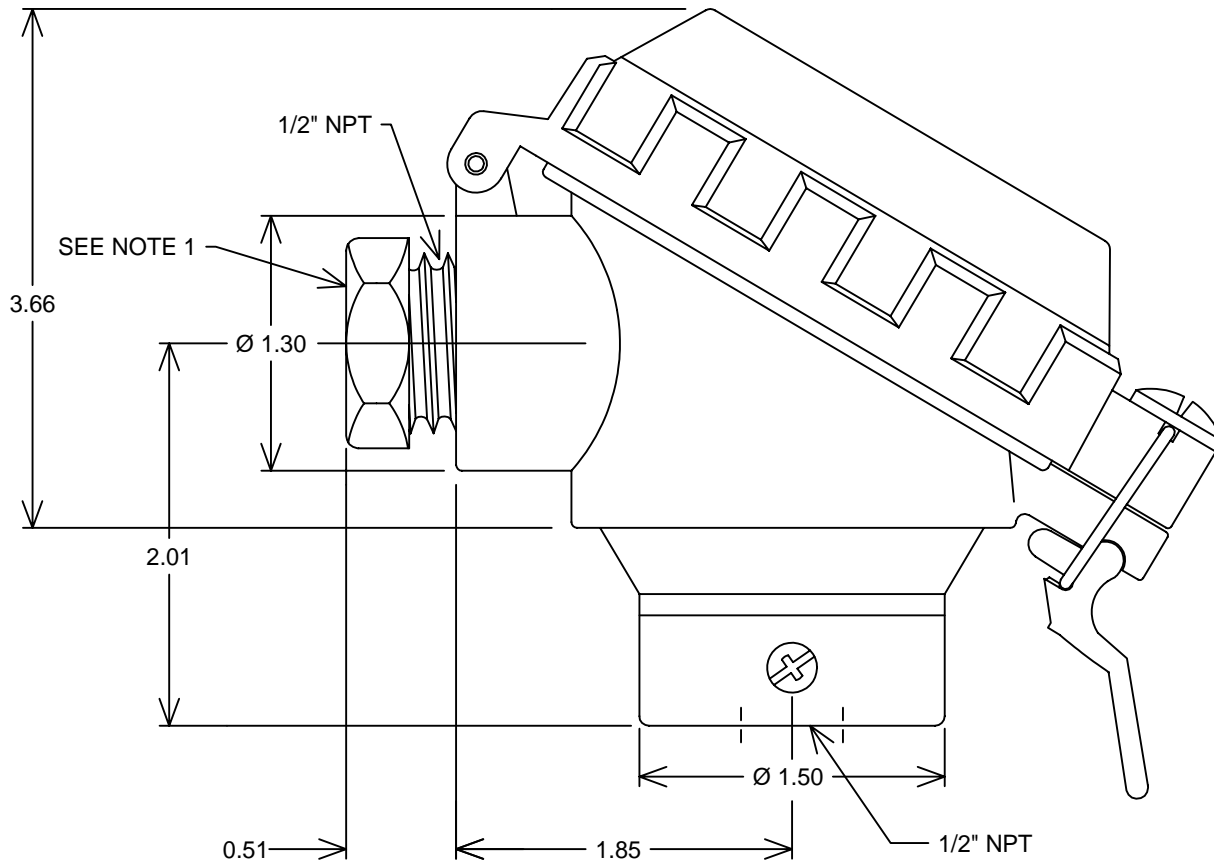


NOTES

- INSIDE MOUNTING HOLES TAPPED FOR M4-0.7 SCREW, 34mm (1.339) CENTERS.

<p>This Drawing is the sole property of DEVAR Inc., and is submitted on the understanding that the contents hereof are not published and are not to be disclosed. to third persons without prior permission.</p>	<p>UNSPECIFIED DIMENSION TOLERANCE DECIMAL +/- 0.005" FRACTION +/- 1/64" ANGLE +/- 1/2 DEGREE</p>	<p>CONTRACT NO.</p>			<p>DEVAR Inc. 706 Bostwick Avenue, Bridgeport, Conn. 06605 TEL: (203) 368-6751 FAX: (203) 368-3747</p>		
	<p>MATERIAL BLACK NYLON</p>	<p>PREPARED</p>	<p>RNT</p>	<p>05/15/07</p>	<p>NYLON CONNECTION HEAD WITH CHAIN & SCREW CAP, OPTION -CHN</p>		
		<p>CHECKED</p>					
		<p>MECH</p>					
		<p>ELEC</p>					
<p>FINISH N/A</p>	<p>DESIGN</p>			<p>SIZE A</p>	<p>DRAWING NO. 514910-0001</p>		<p>REV E</p>
<p>NEXT ASSY NO. -N/A-</p>	<p>APPROVED</p>			<p>SCALE N.T.S.</p>	<p>WT</p>	<p>SHEET 1 OF 1</p>	

REV	DESCRIPTION	DATE	APPROVED
A	RELEASE -0004, ECN 3110	11-13-91	AG
E	REDRAW -0004 AS A SEPERATE DRAWING, PART NO. WAS KNPL-1234, REDRAWN, ECN 3376		

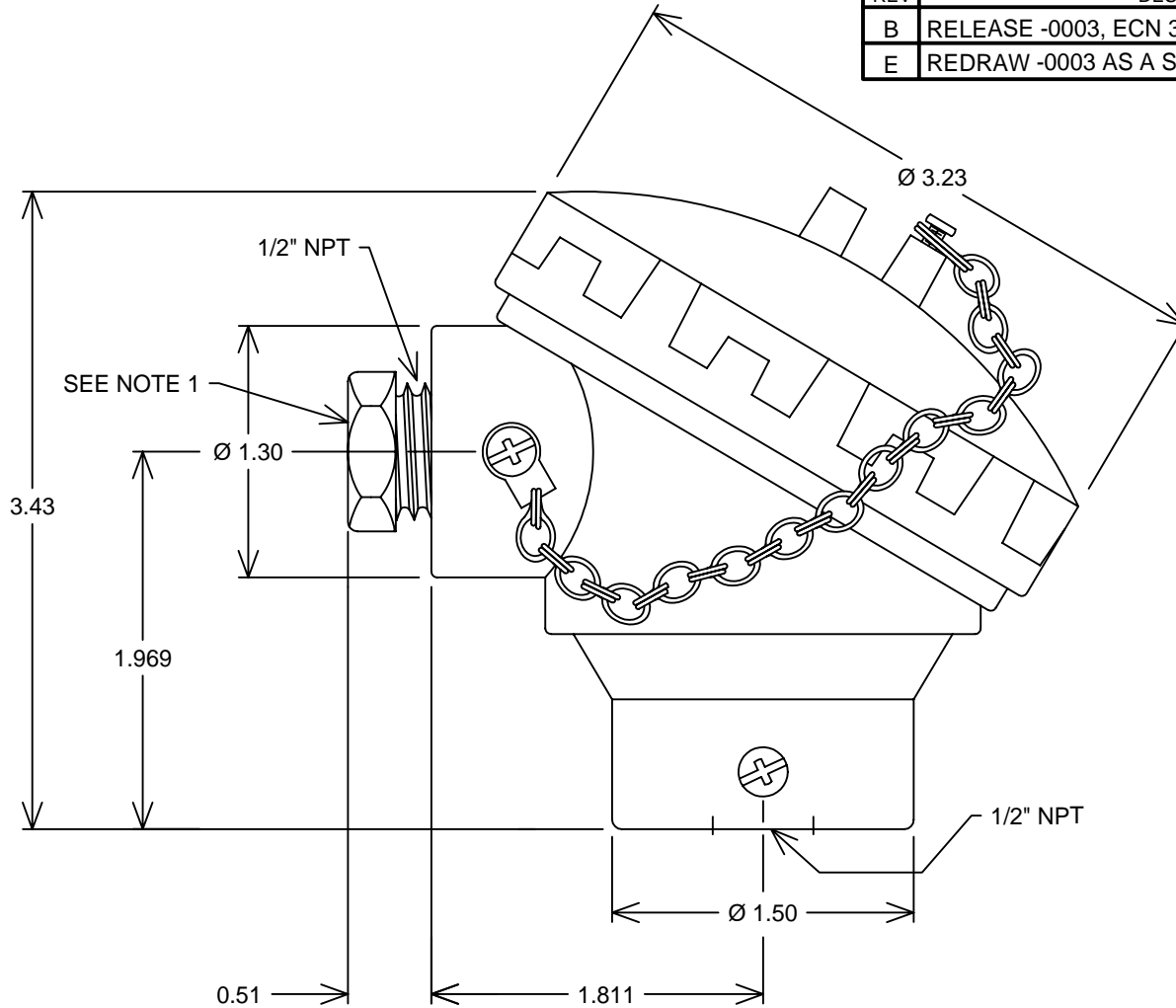


NOTES

- 3/8 DIAMETER, STAINLESS STEEL, CONDUIT GROMMET FITTING,.
- INSIDE MOUNTING HOLES TAPPED FOR M4-0.7 SCREW, 35mm (1.339) BETWEEN CENTERS.

<p>This Drawing is the sole property of DEVAR Inc., and is submitted on the understanding that the contents hereof are not published and are not to be disclosed. to third persons without prior permission.</p>	<p>UNSPECIFIED DIMENSION TOLERANCE DECIMAL +/- 0.005" FRACTION +/- 1/64" ANGLE +/- 1/2 DEGREE</p>	<p>CONTRACT NO.</p>			<p>DEVAR Inc. 706 Bostwick Avenue, Bridgeport, Conn. 06605 TEL: (203) 368-6751 FAX: (203) 368-3747</p>		
	<p>MATERIAL DIE CAST ALUMINUM</p>	<p>PREPARED RNT 05/15/07</p>	<p>SNAP-LOCK, CONNECTION HEAD OPTION -CHAS</p>				
	<p>FINISH SILVER PAINT GLOSS FINISH</p>	<p>CHECKED</p>					
		<p>MECH</p>					
		<p>ELEC</p>					
<p>NEXT ASSY NO. -N/A-</p>	<p>DESIGN</p>	<p>APPROVED</p>	<p>SIZE A</p>	<p>DRAWING NO. 514910-0004</p>	<p>REV E</p>		
<p>APPROVED</p>	<p>SCALE N.T.S.</p>	<p>WT</p>	<p>SHEET 1 OF 1</p>				

REV	DESCRIPTION	DATE	APPROVED
B	RELEASE -0003, ECN 3019	11-13-91	AG
E	REDRAW -0003 AS A SEPERATE DRAWING, ECN 3376		



NOTES

1. 3/8 DIAMETER, STAINLESS STEEL, CONDUIT GROMMET FITTING,.
2. INSIDE MOUNTING HOLES TAPPED FOR M4-0.7 SCREW, 35mm (1.339) BETWEEN CENTERS.

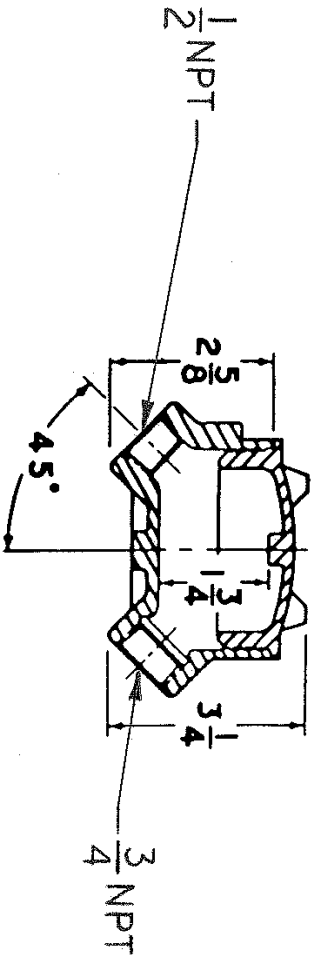
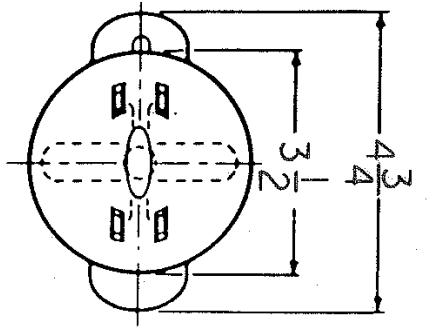
This Drawing is the sole property of DEVAR Inc., and is submitted on the understanding that the contents hereof are not published and are not to be disclosed. to third persons without prior permission.

UNSPECIFIED DIMENSION TOLERANCE DECIMAL +/- 0.005" FRACTION +/- 1/64" ANGLE +/- 1/2 DEGREE
MATERIAL DIE CAST ALUMINUM
FINISH SILVER PAINT GLOSS FINISH
NEXT ASSY NO. -N/A-

CONTRACT NO.		
PREPARED	RNT	05/15/07
CHECKED		
MECH		
ELEC		
DESIGN		
APPROVED		
APPROVED		

DEVAR Inc.		706 Bostwick Avenue, Bridgeport, Conn. 06605 TEL: (203) 368-6751 FAX: (203) 368-3747	
ALUMINUM CONNECTION HEAD WITH CHAIN & SCREW CAP, OPTION -CHA			
SIZE A	DRAWING NO. 514910-0003		REV E
SCALE N.T.S.	WT	SHEET 1 OF 1	

This drawing is the sole property of CONTROL PRODUCTS DIVISION of DEVAR Inc., and is authorized on the understanding that the contents hereof are not published and are not to be disclosed to third persons without permission.



DWG NO		SH	
REVISIONS			
REV	DESCRIPTION	DATE	APPROVED
A	RELEASE ; ECN 2895	8/30/88	A. J. Z.
B	VENDOR NUMBER CHANGED	6/24/93	A. J. Z.

DIVISION 1
 Compliances: NEC Class I, Groups C, D
 Class II, Groups E, F, G • Class III
 UL Standard 866
 NEMA 4

TOLERANCES UNLESS SPECIFIED DECIMAL DIM. ± .005 FRACT. DIM. ± 1/32 ANGLES ± 1/2°		CONTRACT NO.	
MATERIAL		PREPARED M/F 8/23/88	CHECKED LSK 1/23/88
FINISH		MECH	ELEC
NEXT ASSY. NO.		DESIGN	APPROVED
APPROVED		APPROVED	
DEVAR Inc. 706 Bostwick Avenue, Bridgeport, Conn. 06605 CONTROL PRODUCTS DIVISION		EXPLOSION PROOF JUNCTION BOX OPTION CHX	
SIZE A	DRAWING NO. 515004-01	SCALE N.T.S.	WT H
REV B	SHEET 1 OF 2		