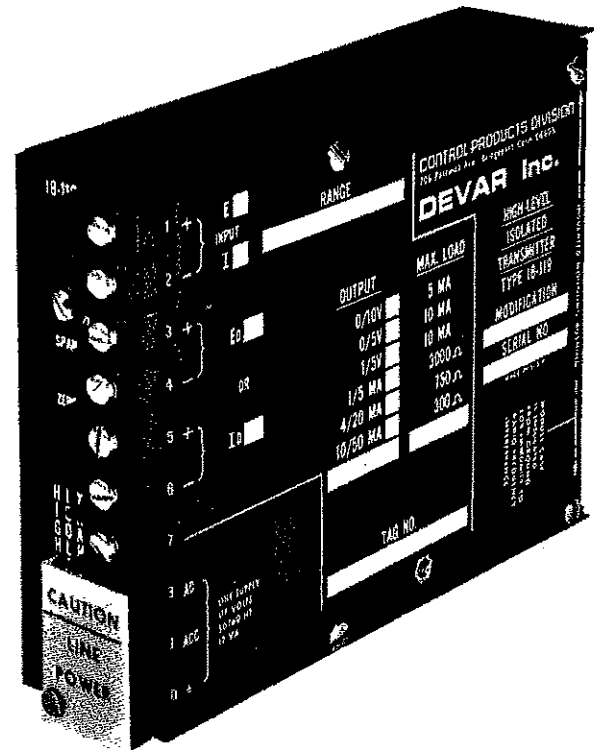


- LOW VOLTAGE DROP  
(1.0 VDC)
- 1200 OHM LOAD CAPACITY  
(4-20 MA)
- 0.1% LINEARITY
- D-C VOLTAGE OR CURRENT  
INPUT-OUTPUT ISOLATED



The 18-119 accepts inputs of DC voltage or current signals and provides a completely isolated current or voltage output. It is used to isolate and convert DC current or DC voltage signals whose common-mode potential, relative to the receiver circuitry, is uncertain or incompatible.

The input signal is applied to an input shunt or divider resistor network whose values have been determined on the basis of a one (1) volt drop. The signal is then modulated for transformer coupling and isolation. It is then demodulated and filtered to convert back to DC.

This DC signal is further conditioned for a voltage or current output to meet the user's requirements.

The torodial transformers required to obtain isolation are designed and packaged to secure maximum leakage resistance between input, output and power supply circuits.

Each transmitter is subjected to a **2000 volt AC** dielectric test between **input to output**, **input to line** terminals and **input to case**.

This compact package is designed for ease of installation and service. It may be mounted individually as shown using an optional mounting bracket or in a high density 10 channel rack mounting case.

Certification to Nuclear Seismic Requirements per IEEE-344-1987 and Quality Assurance provisions of 10CFR Parts 21 & 50 is available.

## GENERAL SPECIFICATIONS

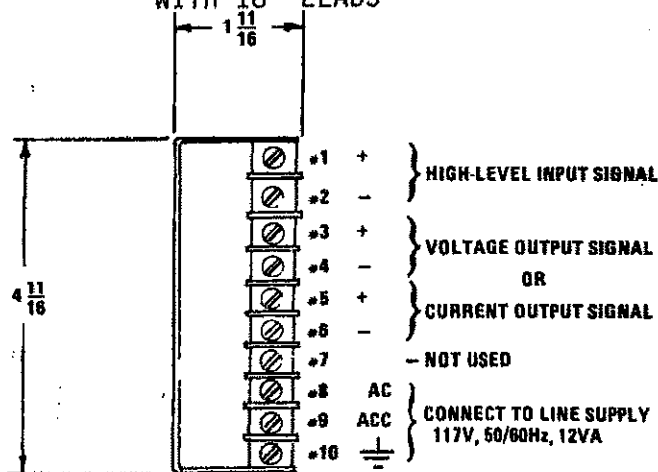
Linearity	±0.1%
Recommended Temperature Limits	20 to 140°F
Frequency Response	3 db @ 2 Hz
Time Constant (Full Scale)	78mS
Common Mode Rejection	100 db @ 60 Hz
Line Regulation 115V, ±10V	0.1% max.
Power Requirements	115V, ±10V 50/60 Hz, 12 VA

## INPUT

<u>Current</u>	
<u>Range</u>	<u>Shunt</u>
1/5mA	249 Ohms
4/20mA	61.9 Ohms
10/50mA	24.9 Ohms
<u>Voltage</u>	
<u>Range</u>	<u>Approx. Input Resistance</u>
0/1VDC	16K Ohms
1/5VDC	4K Ohms
0/5VDC	5K Ohms
0/10VDC	10K Ohms

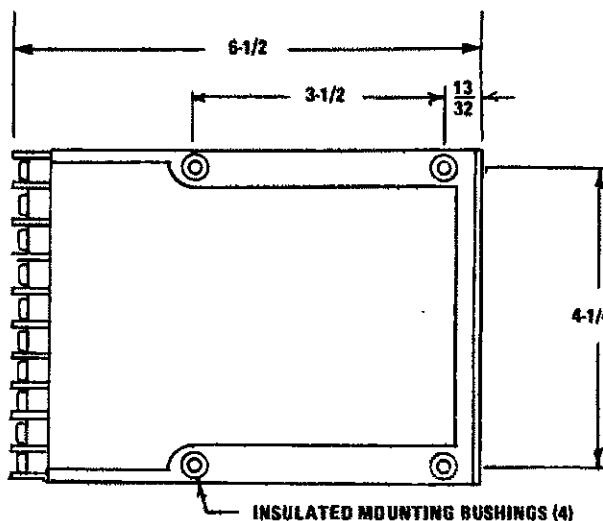
## OPTIONS

-E122	RFI Protection
-SC	Special Calibration
-E70	0 to 20mA Output
-E71	220V AC Power
-M31	Mounting Bracket
-M32	Mtg. Brkt. with T.B. cover
-M14S	Stainless Steel Tag
-E25	Fast Response
-E109	Modify for slower response
-E88	Input Voltage Divider
-E92I	24V DC Power
-M29	Line Terminals at rear
-T	Tropicalized
-M41	Rack Mtg. Cover
-HV	300V < INPUT < 1000V, WITH 18" LEADS



## OUTPUT

<u>Current</u>	
<u>Range</u>	<u>LOAD RANGE</u>
1/5mA	115VAC
4/20mA	24VDC/220VAC
10/50mA	0/3,000 Ohms
	0/1200
	0/430
	0/750 Ohms
	0/300 Ohms
<u>Voltage</u>	
<u>Range</u>	<u>Max. Load</u>
0/10VDC	5mA
0/5VDC	10mA
1/5VDC	10mA



## DEVAR Inc.

706 Bostwick Ave., Bridgeport, CT 06605-2396  
 TEL: 203-368-6751, TOLL FREE: 1-800-566-6822  
 FAX: 203-368-3747  
 LOG ON via the Internet through the world wide web  
 use: <http://www.devarinc.com>